



Detail Shot of E-715 Indicator Panels

The Essi Model E-715 single channel rack mount gas detection controller is specifically designed to monitor and display a 4 to 20 mA signal transmitted from a sensor/amplifier assembly used to detect ambient air and activate alarms and shut downs for the safety of operating personnel.

The E-715 monitor is AC or DC powered and housed in a standard 19-inch rack for up to 16 controllers.

The rack mount controller can be used in conjunc-

tion with an E-715 Relay Board which consist of six 20 amp fused relays that can be wired either normally open or closed.

The E-715 provides maximum system flexibility, reliability, and ease of use and maintenance.

**Special Features**

- RS-485 output to monitor real time data
- Ability to disable alarm relays during calibration
- Programmable for latched or non-latched, open or closed relays
- Three independent alarms, adjustable to full scale
- System fault monitors for shorts and open circuits

**Specifications**

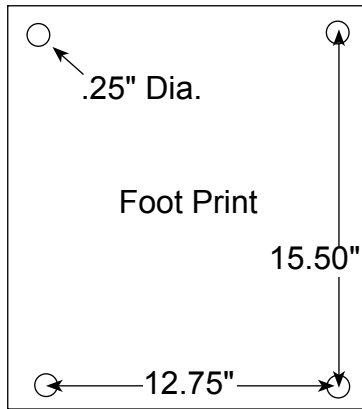
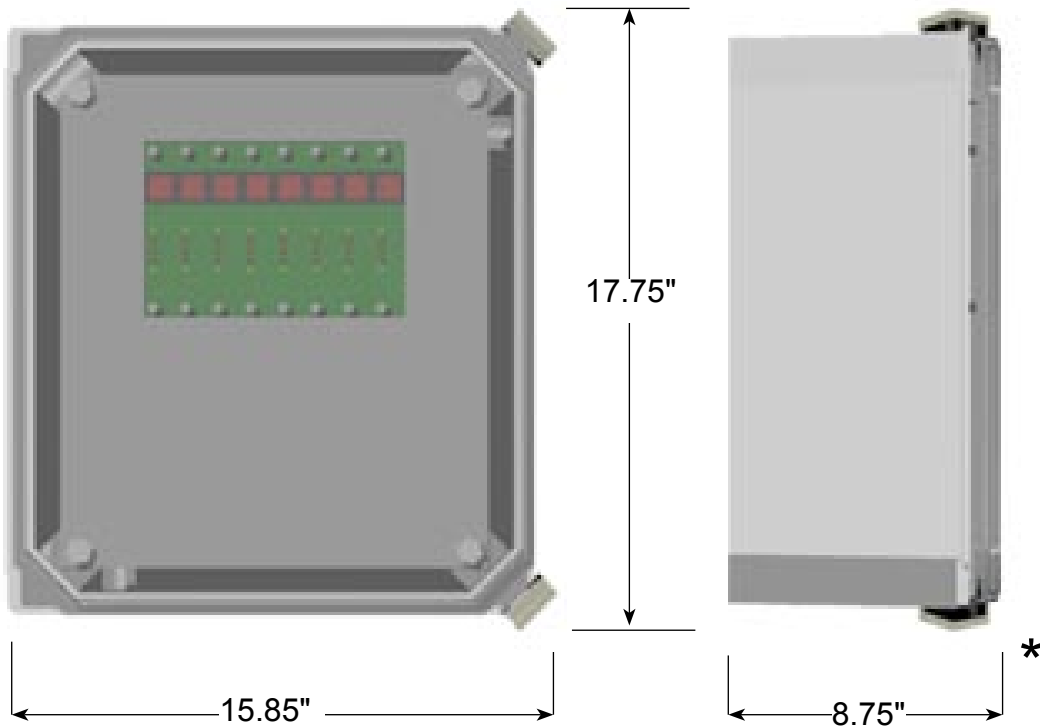
- Operating Voltage: 12-24 Volts DC, 110 Volts AC Optional 220 Volts AC
- Signal Input: 4 to 20 mA
- Power Up Delay: 25 seconds
- Fuses: Individual fuses for AC and
- Transformer: 12 Volt 8 Amp, 50 to 60 Hz or 12 Volt 4 Amp, 50 to 60 Hz
- Enclosure: NEMA 4 with 19" or 8" rack
- Operating Temp: 0 to 150 deg F
- Display: Two place digital meter 0-99 LEL, ppm, or %O2
- Alarm Settings Via: Extension card
- Warranty: One Year



**Essi Corporation**  
 Telephone: (337) 837-Essi(3774)  
 Telefax: (337) 837-3712  
[www.essicorp.com](http://www.essicorp.com)

Front View

Side View



Also available in Half-Rack  
And Full-Rack Configurations.

\*NEMA 4X Enclosure Sold Separately

**Essi Corporation**  
Telephone: (337) 837-Essi(3774)  
Telefax: (337) 837-3712  
[www.essicorp.com](http://www.essicorp.com)